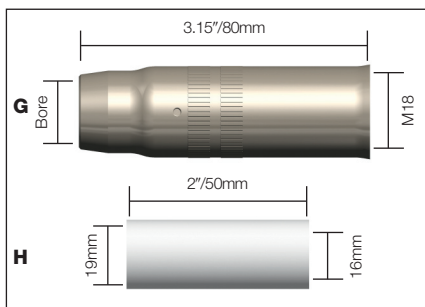
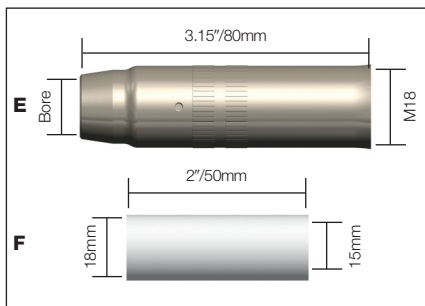
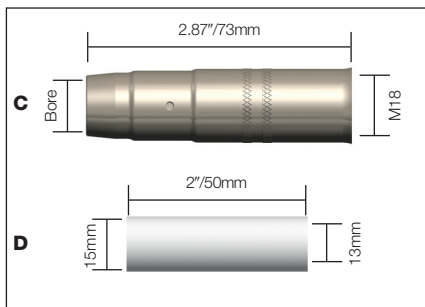
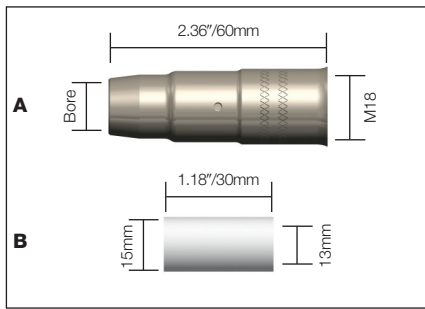


Esab Nozzles



Nozzles				
Stock Code	Description	Bore	Bore	Model
A 366-946-880	Nozzle c/w Insulator	.43"	11mm	PSF 160
366-854-880	Nozzle c/w Insulator	1/2"	13mm	PSF 160
B 366-396-001	Nozzle Insulator			PSF 160

Stock Code	Description	Bore	Bore	Model
C 366-946-881	Nozzle c/w Insulator	15/32"	12mm	PSF 250
366-854-881	Nozzle c/w Insulator	9/16"	14mm	PSF 250
D 366-396-002	Nozzle Insulator			PSF 250

Stock Code	Description	Bore	Bore	Model
E 366-946-882	Nozzle c/w Insulator	1/2"	13mm	PSF 305/315
366-854-882	Nozzle c/w Insulator	5/8"	16mm	PSF 305/315
F 366-396-003	Nozzle Insulator			PSF 305/315

Stock Code	Description	Bore	Bore	Model
G 366-946-883	Nozzle c/w Insulator	9/16"	14mm	PSF 400/405
366-854-883	Nozzle c/w Insulator	5/8"	16mm	PSF 400/405
H 366-396-004	Nozzle Insulator			PSF 400/405