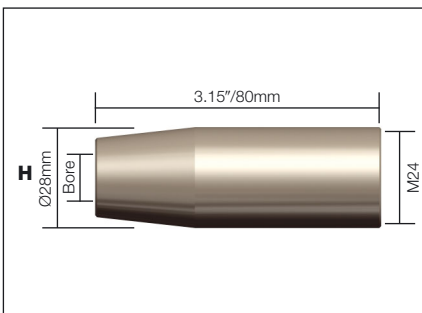
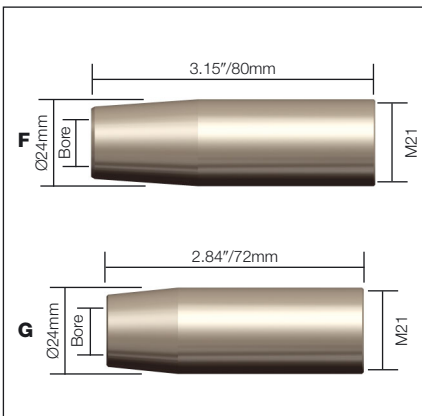
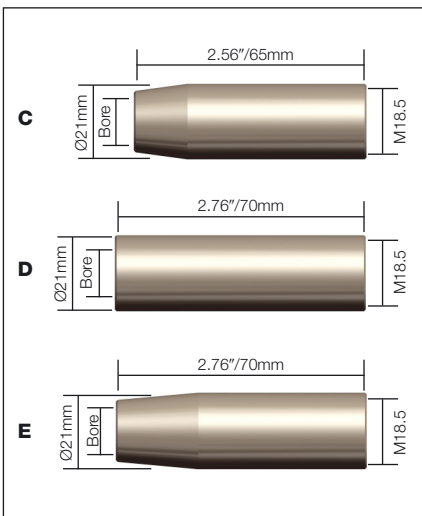
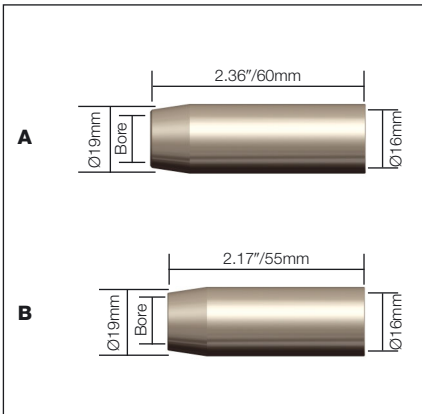


# MRX Nozzles



Nozzles				
Stock Code	Description	Bore	Bore	Model
A 1408599	Nozzle Standard Dip	15/32"	12mm	MXA153, 203
B 1408600	Nozzle Short Dip	15/32"	12mm	MXA153, 203

Nozzles				
Stock Code	Description	Bore	Bore	Model
C 1408602	Nozzle Short Dip	1/2"	13mm	MXA253
D 1408604	Nozzle Parallel	5/8"	16mm	MXA253
E 1411350	Nozzle Standard Dip	1/2"	13mm	MXA253

Nozzles				
Stock Code	Description	Bore	Bore	Model
F 1406336	Nozzle Long Tapered Spray	19/32"	15mm	MXA363,403
G 1408605	Nozzle Tapered Dip	9/16"	14mm	MXW403,503

Nozzles				
Stock Code	Description	Bore	Bore	Model
H 1408607	Nozzle Heavy Duty Tapered Spray	.067"	17mm	MXA503