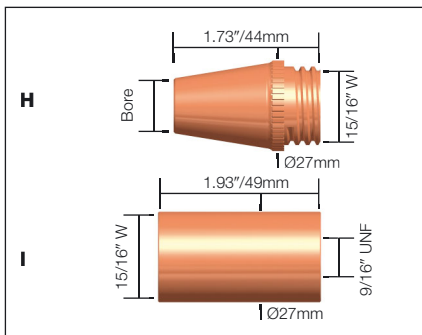
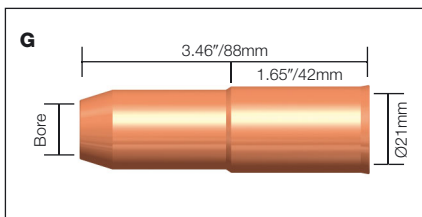
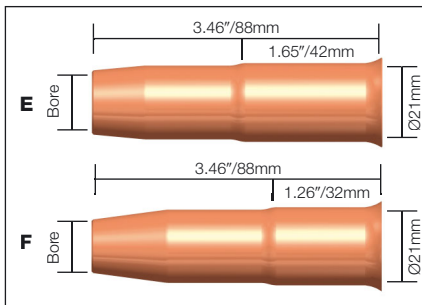
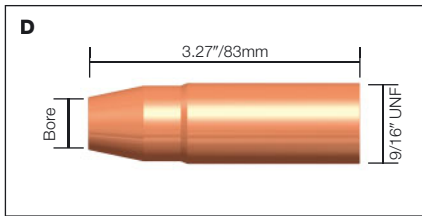
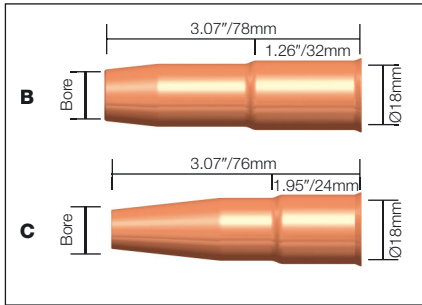
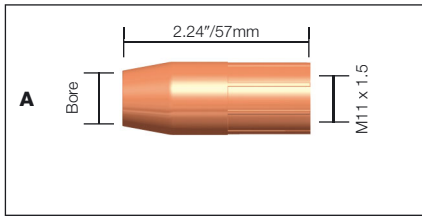


# TWC Nozzles



Nozzles					
Stock Code	Description	Bore	Bore	Model	
A 21-37	Nozzle Self Insulated	3/8"	10mm	PA No.1	
21-50	Nozzle Self Insulated	1/2"	13mm	PA No.1	
21-62	Nozzle Self Insulated	5/8"	16mm	PA No.1	

Stock Code	Description	Bore	Bore	Model	
B 22-50	Nozzle Adjustable	1/2"	13mm	PA No.2	
22-62	Nozzle Adjustable	5/8"	16mm	PA No.2	
C 22-50SS	Nozzle Short Stop	1/2"	13mm	PA No.2	
22-62SS	Nozzle Short Stop	5/8"	16mm	PA No.2	

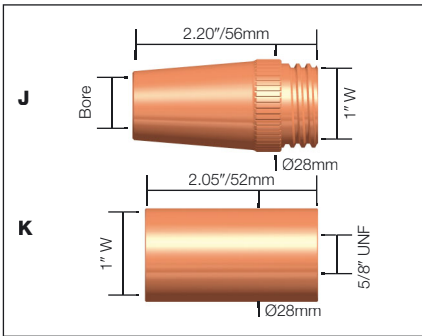
Stock Code	Description	Bore	Bore	Model	
D 23-50	Nozzle Self Insulated	1/2"	13mm	PA No.2/3	
23-62	Nozzle Self Insulated	5/8"	16mm	PA No.2/3	
23-75	Nozzle Self Insulated	3/4"	19mm	PA No.2/3	

Stock Code	Description	Bore	Bore	Model	
E 24A-50	Nozzle Adjustable	1/2"	13mm	PA No 3/4	
24A-62	Nozzle Adjustable	5/8"	16mm	PA No 3/4	
24A-75	Nozzle Adjustable	3/4"	19mm	PA No 3/4	
F 24A-50SS	Nozzle Short Stop	1/2"	13mm	PA No 3/4	
24A-62SS	Nozzle Short Stop	5/8"	16mm	PA No 3/4	

Stock Code	Description	Bore	Bore	Model	
G 24AH-50	Nozzle Adjustable Heavy Duty	1/2"	13mm	PA No. 4	
24AH-62	Nozzle Adjustable Heavy Duty	5/8"	16mm	PA No. 4	
24AH-75	Nozzle Adjustable Heavy Duty	3/4"	19mm	PA No. 4	

Stock Code	Description	Bore	Bore	Model	
H 24CT-50S	Fixed Nozzle Coarse Thread	1/2"	13mm	PA No.2/3/4	
24CT-62S	Fixed Nozzle Coarse Thread	5/8"	16mm	PA No.2/3/4	
24CT-75S	Fixed Nozzle Coarse Thread	3/4"	19mm	PA No.2/3/4	
I 34CT	Nozzle Insulator Coarse Thread			PA No.2/3/4	

# TWC Nozzles



Nozzles					
Stock Code	Description	Bore	Bore	Model	
J	25CT-50	Fixed Nozzle Coarse Thread	1/2"	13mm	PA No.5
	25CT-62	Fixed Nozzle Coarse Thread	5/8"	16mm	PA No.5
	25CT-75	Fixed Nozzle Coarse Thread	3/4"	19mm	PA No.5
K	35CT	Nozzle Insulator Coarse Thread			PA No.5

### Roll Marking

All Parweld consumables are roll marked to enable you to identify genuine Parweld product.