



XR914 Light Reactive Welding Helmet

XR914 Light Reactive Welding Helmet

- Slim and Lightweight
- Automatic Light Adjustment from light to dark in 1/25,000th of a second
- Shade Control from DIN9-13
- Adjustable Sensitivity
- Viewing Area 98mm x 44mm / 3.86" x 1.76"
- Full Face Coverage
- Automatic Power On/Off
- Life Expectancy 6 years
- UV/IR Protection up to shade DIN 16
- Conforms to CE and BS EN 379:BS EN 175: ANSI Z87.1
- 18 Months Warranty



XR914 Light Reactive Welding Helmet

Arc welding generates visible light, infrared and ultra violet radiation, which can damage eyes and skin. The Parweld XR914 Light Reactive Welding Helmet offer's the latest innovative protection for the welder.

Moulded Construction

The XR914 is both slim and lightweight in construction. Manufactured from a high impact polyamide nylon material which ensures the helmet provides high levels of comfort and durability.

Full Face Coverage

A curved design with a clear spatter shield over the optics provides maximum clarity. The helmet is fully adjustable to suit all head and body types. Features full neck coverage, locking headgear and no on/off switch.

Automatic Power on / off

The auto on, auto darkening, wide view lens switches from light to dark in 1/25,000th of a second and offers continuous eye protection against UV and IR radiation, even when the lens is in the light state mode.

Solar Powered

The helmet is powered by a self-charging solar cell 3-volt lithium battery; there is no need for external batteries or cables. Battery life expectancy is 6 years.

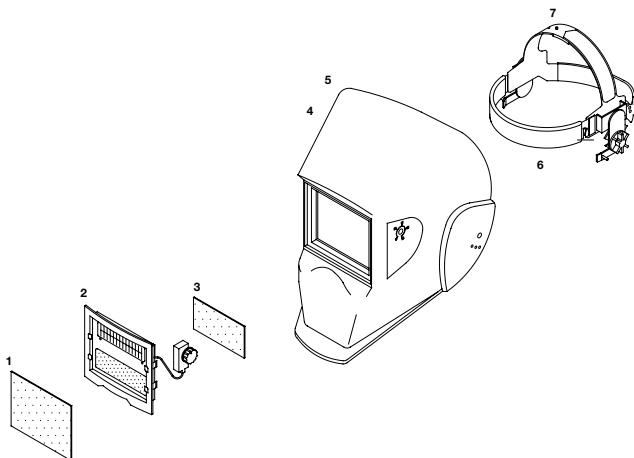
Filters

The welding filter has 2 photo sensors that react independently as the welding arc is struck enabling the almost instantaneous darkening of the filter.

All Parweld filters have a Shade 3 light state, ideal for welding preparation.

Conforms to European Standards

The XR914 Light Reactive helmet complies with BS EN 379:1994 and BS EN 175:1997:ANSI Z87.1:1989



Parts Information

Part Number	Description
1 XR420	Front Cover Lens
2 XR400	Auto Darkening Filter Cartridge
3 XR430	Inside Cover Lens
4 XR914	Helmet Shell
5 XR914H	Complete Helmet
6 XR410	Front Velcro Cover
7 XR440	Adjustable Headband

Technical Specification

Viewing Area	98mm x 44mm /3.86" x 1.76"
Cartridge Size	122mm x 100mm x 9mm / 4 ⁷ / ₈ " x 3 ¹⁵ / ₁₆ " x 3 ¹ / ₂ "
UV/IR Protection	Permanent Shade DIN16
Light State	DIN Shade 3
Dark State	DIN Shade 9 to 13 Variable
Power Supply	Solar cells with built in rechargeable battery (estimated 6 year life)
Power On/Off	Fully Automatic

Switching Time	Light to dark 0.00004 seconds
Light to Dark	0.25 - 0.35 seconds - fast position 0.60 - 0.80 seconds - slow position
Operating Temp	-5°C to +70°C (23°F to 131°F)
Storage Temp	-20°C to +70°C (-4°F to -158°F)
Helmet Material	High Impact Polyamide Nylon
Total Weight	430g
Minimum Amperage Required	40 Amps



Parweld Limited
Bewdley Business Park
Long Bank
Bewdley
Worcestershire
England
DY12 2TZ
tel. +44 1299 266800
fax. +44 1299 266900

www.parweld.com
info@parweld.co.uk